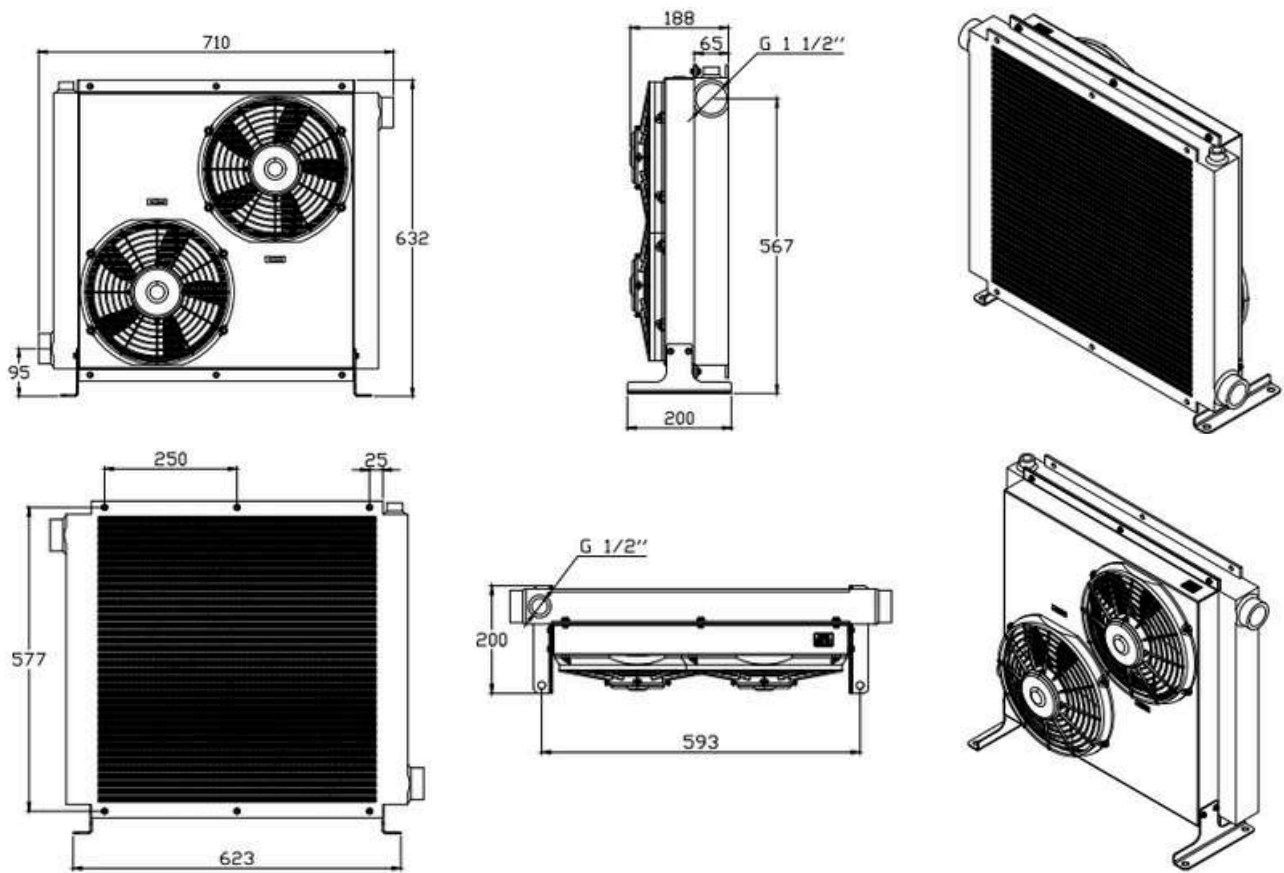


# SF 55 DC

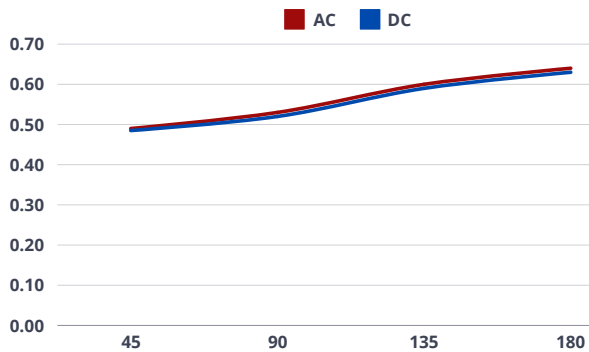
2050



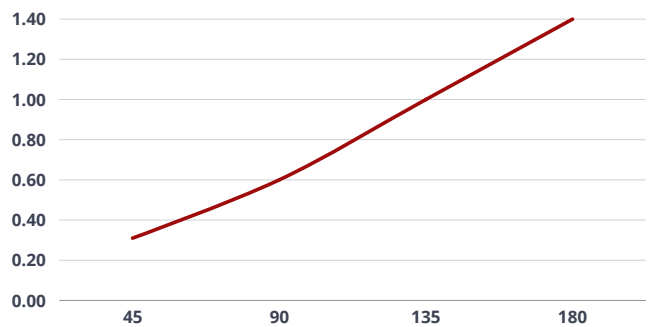
# III SF 55 - 2050 - DC



**2050  
PERFORMANCE DIAGRAM**



**2050  
PRESSURE DROP**



VOLTAGE	OIL FLOW MAX	MAX COOLING CAPACITY	REVOLUTIONS PER MINUTE	FAN Ø	NOISE LEVEL	AIR	WORKING PRESSURE	TEST PRESSURE
V	L/min	kcal/h	r/min	mm	dB	m³/h	bar	bar
12 24	180	25000	2780	280	-	1560x2	15	24