

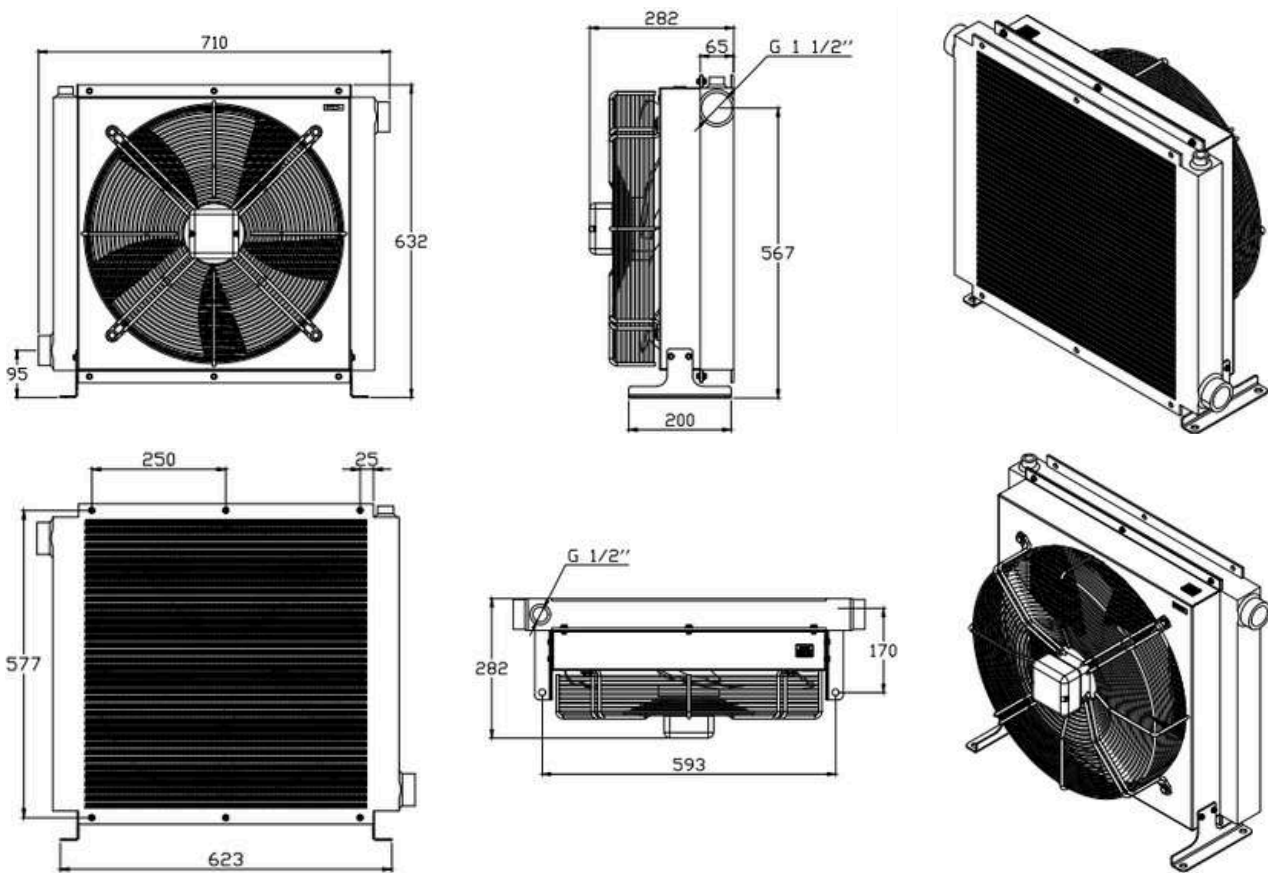
SF 55

AC

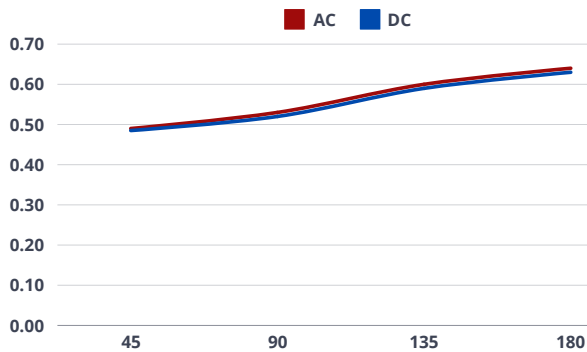
2050



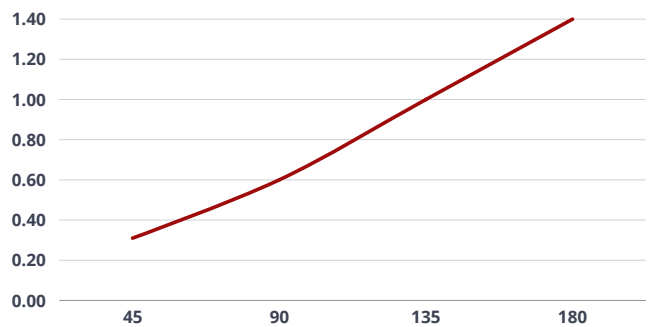
|||SF 55 - 2050 - AC



**2050
PERFORMANCE DIAGRAM**



**2050
PRESSURE DROP**



VOLTAGE	OIL FLOW MAX	MAX COOLING CAPACITY	REVOLUTIONS PER MINUTE	FAN Ø	NOISE LEVEL	AIR	WORKING PRESSURE	TEST PRESSURE
V	L/min	kcal/h	r/min	mm	dB	m³/h	bar	bar
220	180	25000	1392	500	71	7104	15	24
380			1368			7180		