

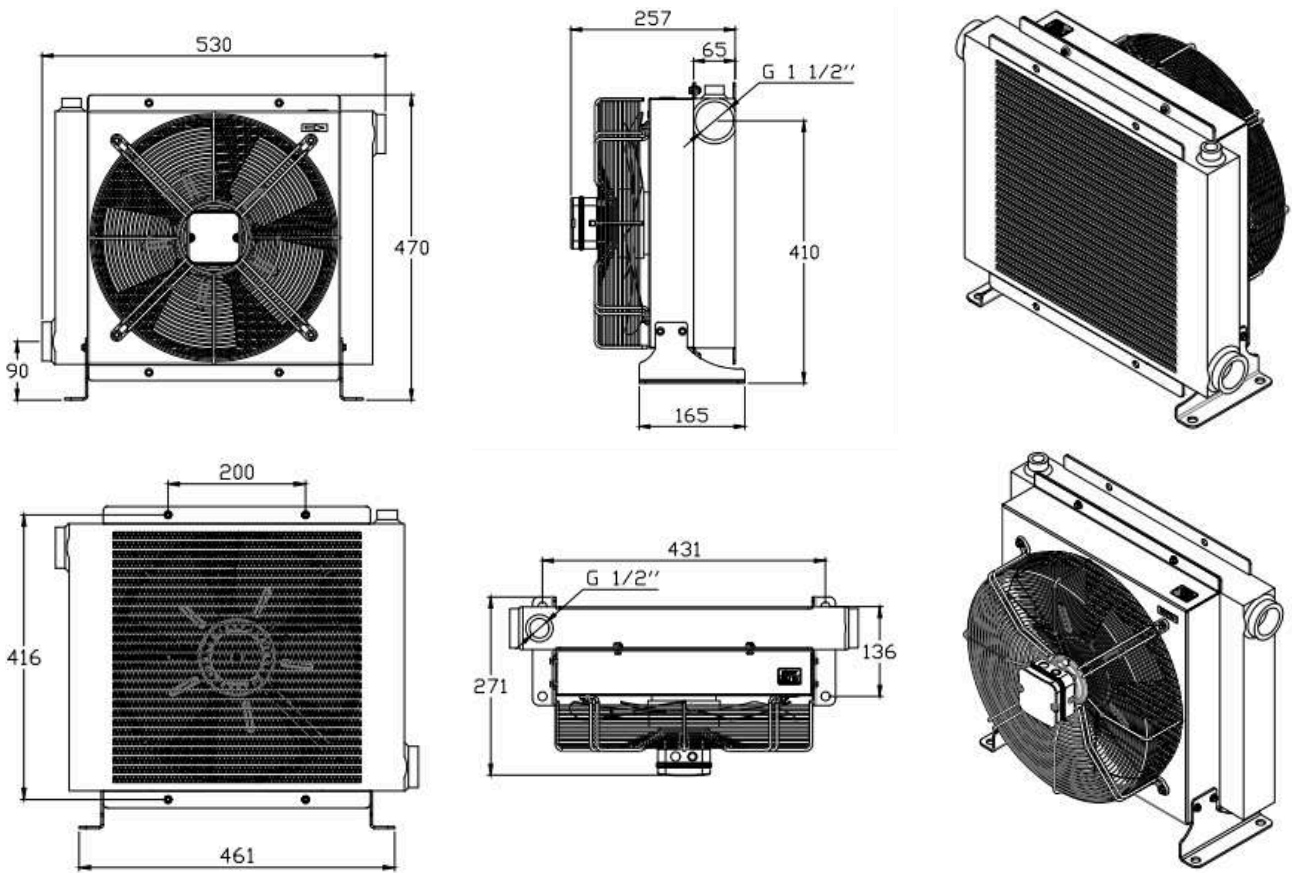
# SF 39

# AC

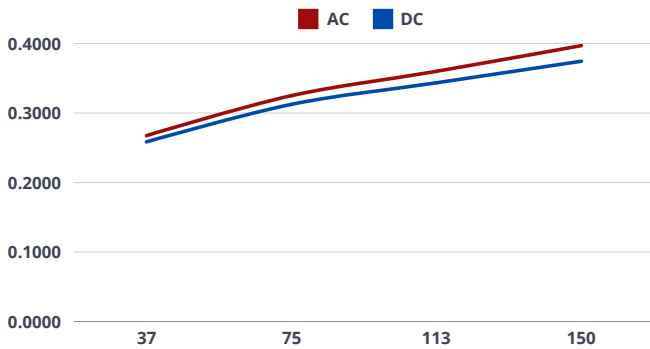
2  
0  
3  
5



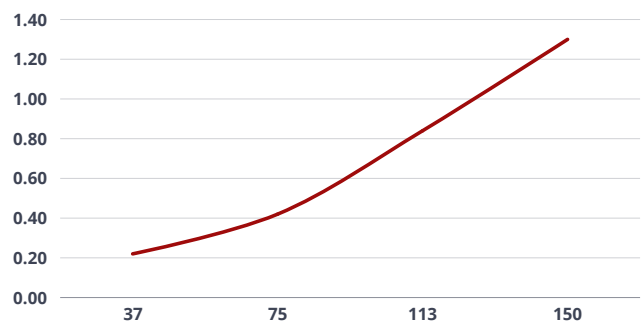
# ||| SF 39 - 2035 - AC



**2035  
PERFORMANCE DIAGRAM**



**2035  
PRESSURE DROP**



VOLTAGE	OIL FLOW MAX	MAX COOLING CAPACITY	REVOLUTIONS PER MINUTE	FAN Ø	NOISE LEVEL	AIR	WORKING PRESSURE	TEST PRESSURE
V	L/min	kcal/h	r/min	mm	dB	m³/h	bar	bar
220	150	15500	1391	350	63	2800	15	24
380			1413					