

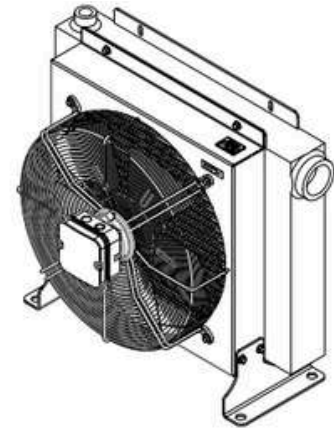
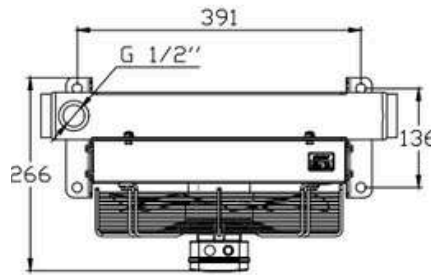
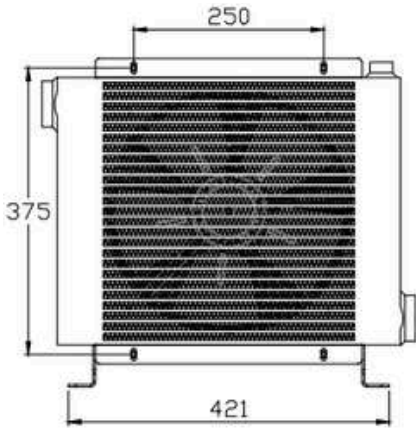
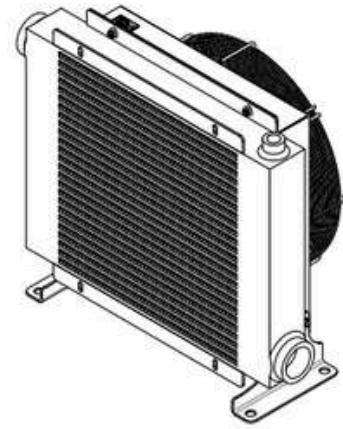
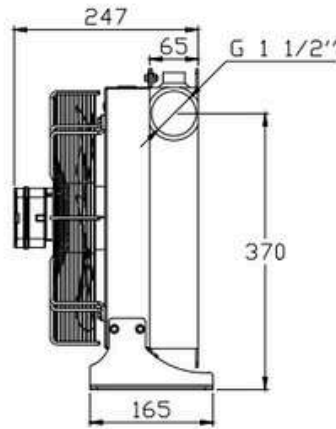
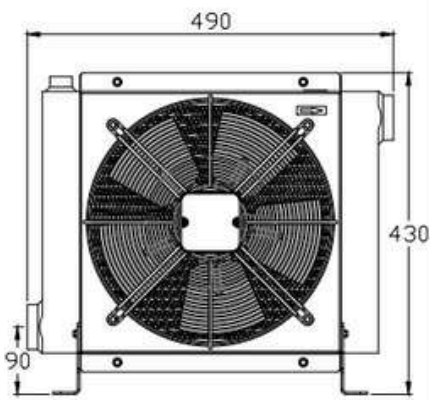
SF 35

AC

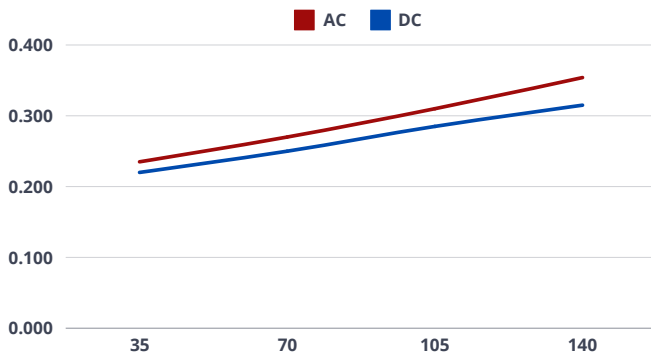
2030



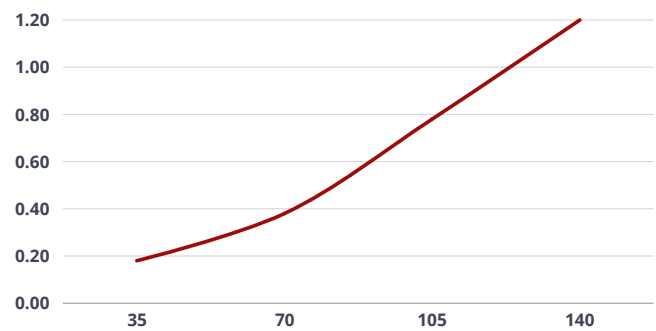
||| SF 35 - 2030 - AC



**2030
PERFORMANCE DIAGRAM**



**2030
PRESSURE DROP**



VOLTAGE	OIL FLOW MAX	MAX COOLING CAPACITY	REVOLUTIONS PER MINUTE	FAN Ø	NOISE LEVEL	AIR	WORKING PRESSURE	TEST PRESSURE
V	L/min	kcal/h	r/min	mm	dB	m³/h	bar	bar
220	140	13000	1370	300	59	1757	15	24
380			1414					