

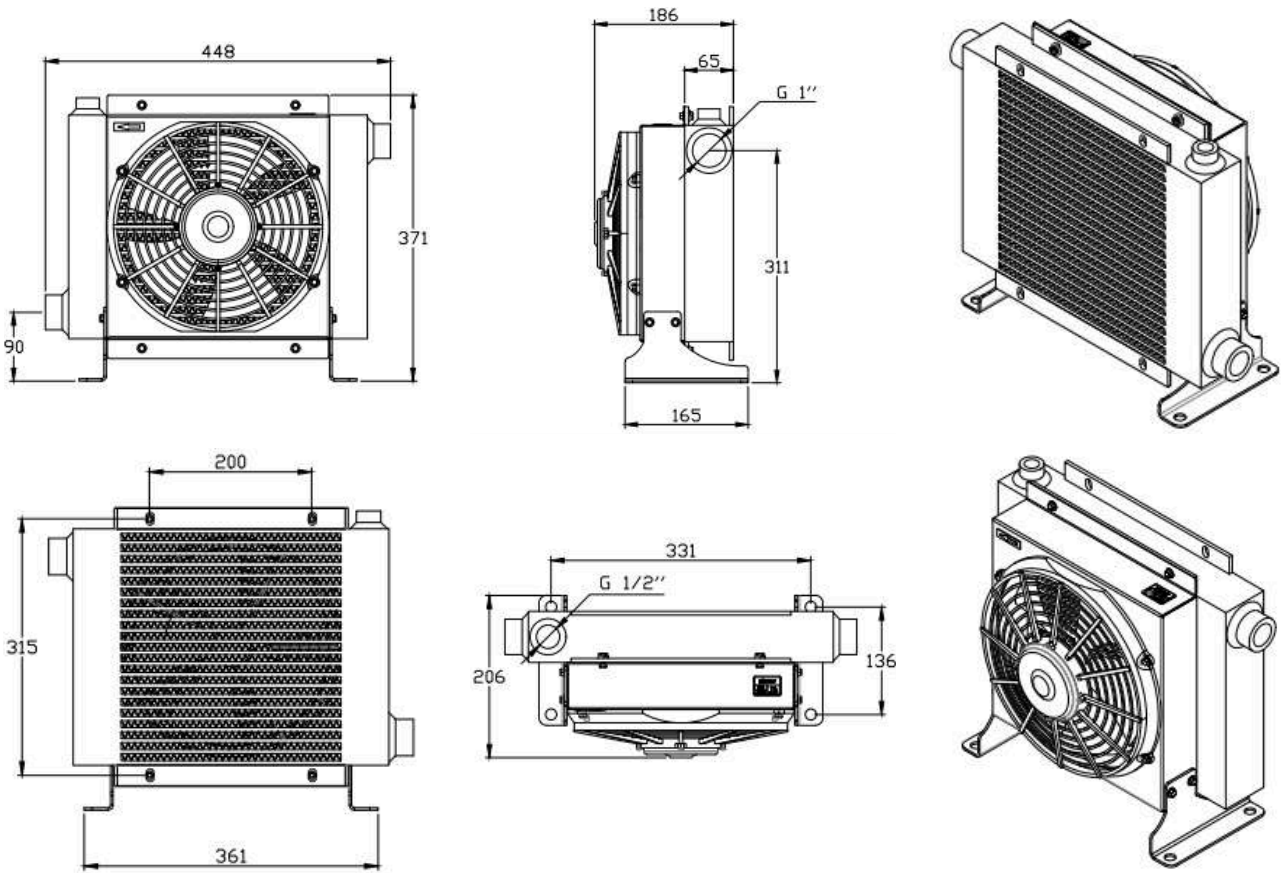
# SF 29

# DC

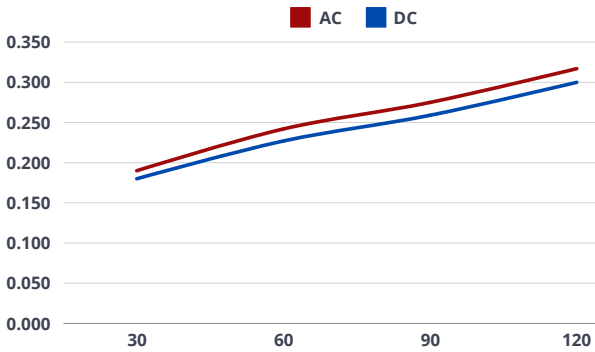
2  
0  
2  
4



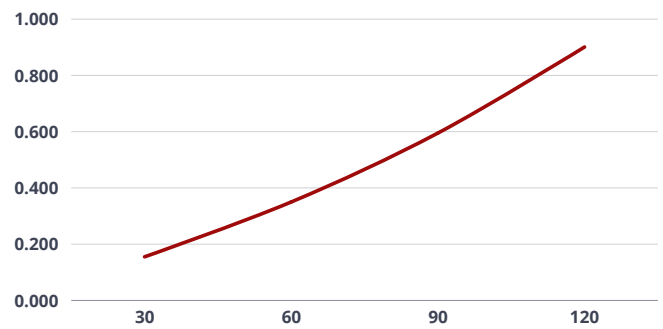
# ISF 29 - 2024 - DC



**2024  
PERFORMANCE DIAGRAM**



**2024  
PRESSURE DROP**



VOLTAGE	OIL FLOW MAX	MAX COOLING CAPACITY	REVOLUTIONS PER MINUTE	FAN Ø	NOISE LEVEL	AIR	WORKING PRESSURE	TEST PRESSURE
V	L/min	kcal/h	r/min	mm	dB	m³/h	bar	bar
12 24	120	10000	3000	255	-	1240	15	24