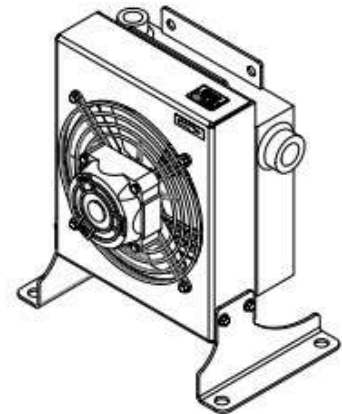
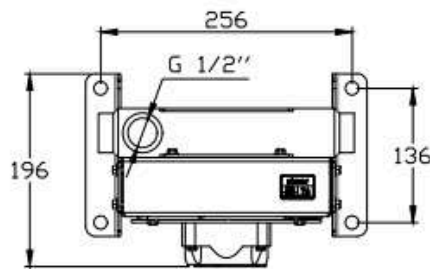
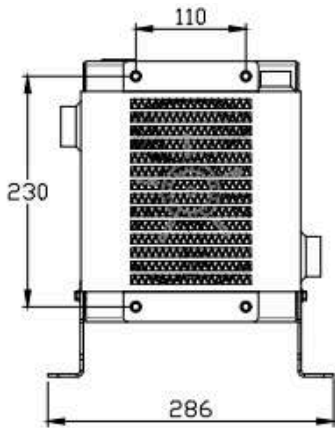
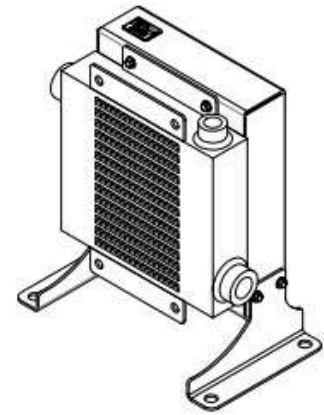
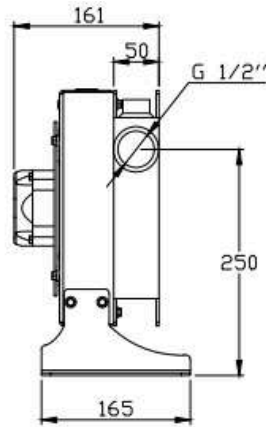
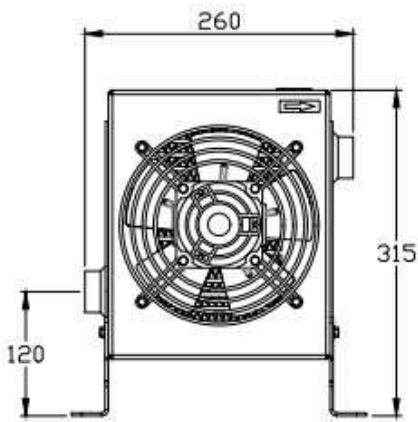


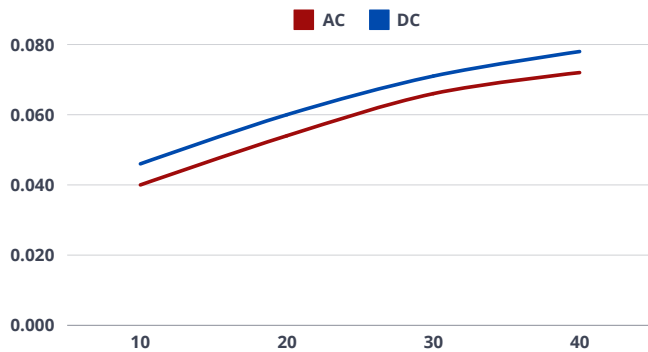
SF 14 AC 2010



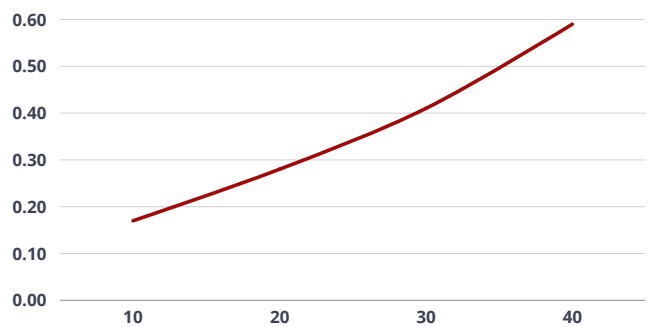
ISF 14 - 2010 - AC



**2010
PERFORMANCE DIAGRAM**



**2010
PRESSURE DROP**



VOLTAGE	OIL FLOW MAX	MAX COOLING CAPACITY	REVOLUTIONS PER MINUTE	FAN Ø	NOISE LEVEL	AIR	WORKING PRESSURE	TEST PRESSURE
V	L/min	kcal/h	r/min	mm	dB	m ³ /h	bar	bar
220	40	2500	1300	200	-	200	15	24