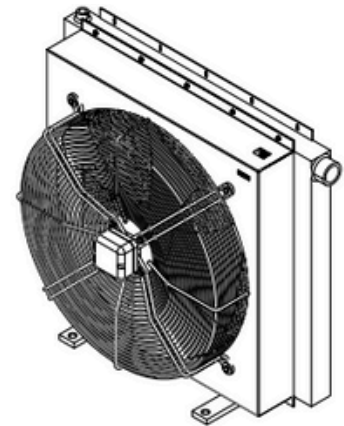
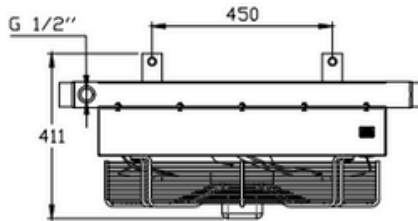
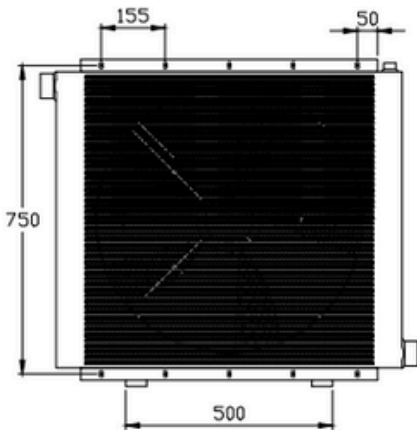
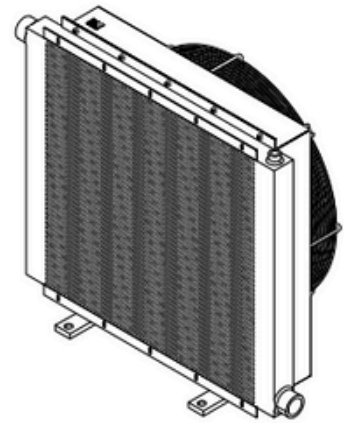
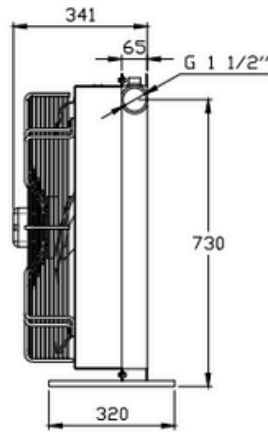
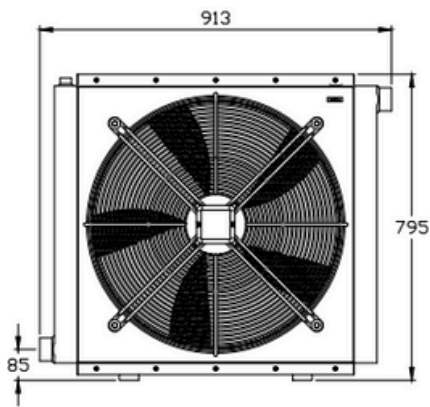


SF 72 AC

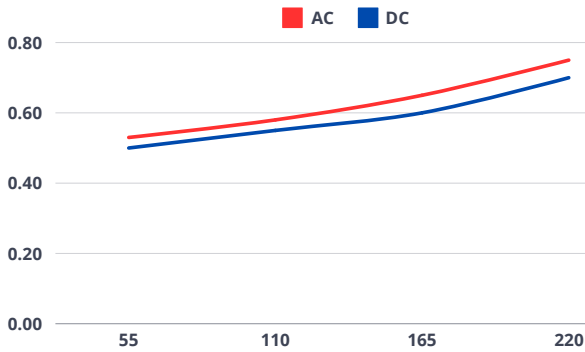
2
0
7
0



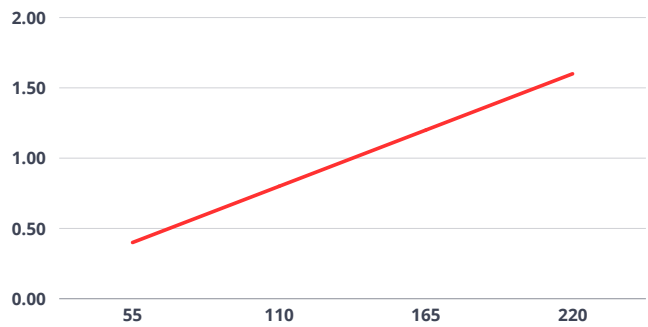
ISF 72 - 2070 - AC



**2070
PERFORMANCE DIAGRAM**



**2070
PRESSURE DROP**



| VOLTAGE | OIL FLOW MAX | MAX COOLING CAPACITY | REVOLUTIONS PER MINUTE | FAN Ø | NOISE LEVEL | AIR | WORKING PRESSURE | TEST PRESSURE |
|---------|--------------|----------------------|------------------------|-------|-------------|-------|------------------|---------------|
| V | L/min | kcal/h | r/min | mm | dB | m³/h | bar | bar |
| 220 | 220 | 30000 | 1398 | 630 | 77 | 11224 | 15 | 24 |
| 380 | | | 1414 | | | 11304 | | |