

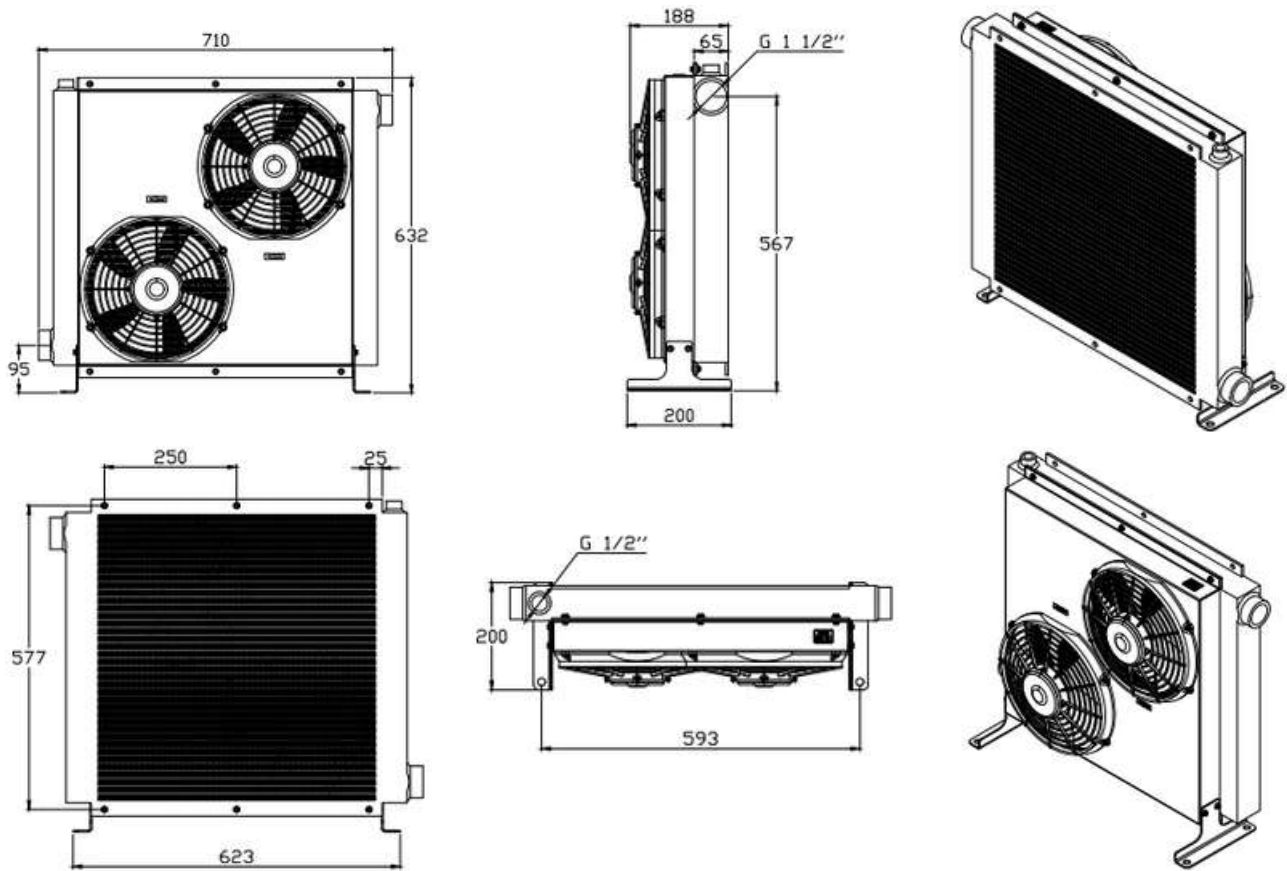
SF 55

DC

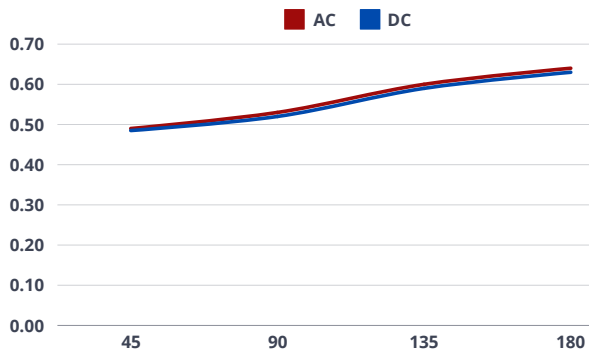
2050



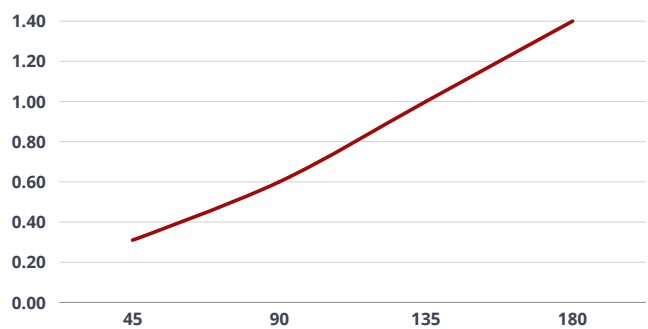
III SF 55 - 2050 - DC



**2050
PERFORMANCE DIAGRAM**



**2050
PRESSURE DROP**



VOLTAGE	OIL FLOW MAX	MAX COOLING CAPACITY	REVOLUTIONS PER MINUTE	FAN Ø	NOISE LEVEL	AIR	WORKING PRESSURE	TEST PRESSURE
V	L/min	kcal/h	r/min	mm	dB	m ³ /h	bar	bar
12 24	180	25000	2780	280	-	1560	15	24