

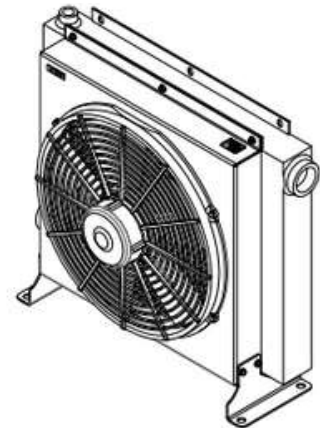
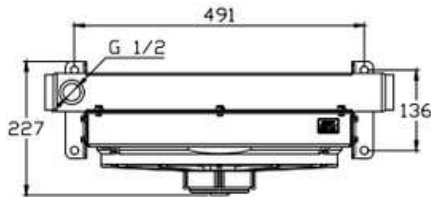
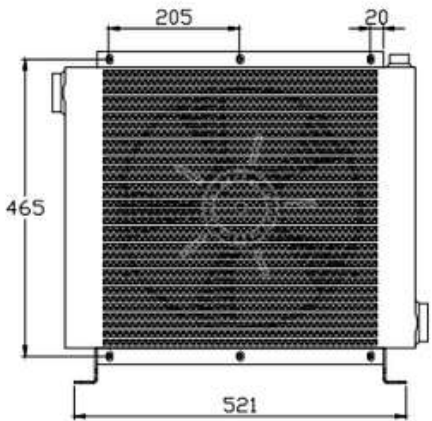
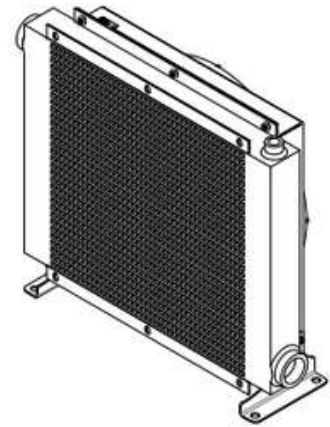
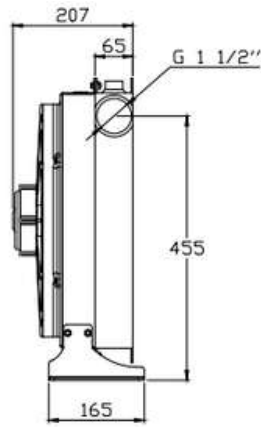
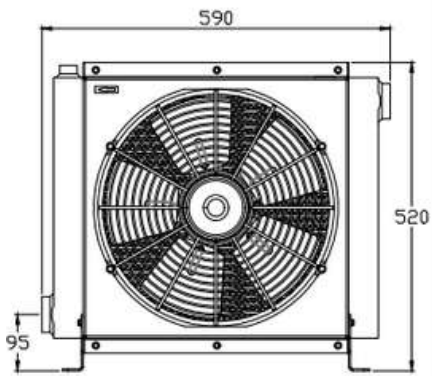
SF 45

DC

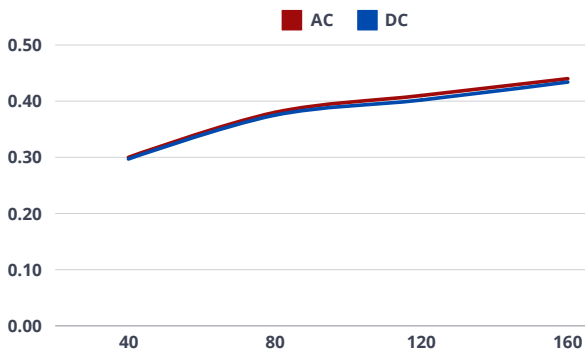
2
0
4
0



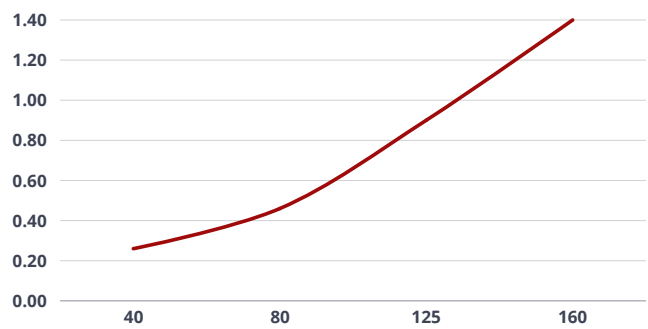
ISF 45 - 2040 - DC



**2040
PERFORMANCE DIAGRAM**



**2040
PRESSURE DROP**



VOLTAGE	OIL FLOW MAX	MAX COOLING CAPACITY	REVOLUTIONS PER MINUTE	FAN Ø	NOISE LEVEL	AIR	WORKING PRESSURE	TEST PRESSURE
V	L/min	kcal/h	r/min	mm	dB	m³/h	bar	bar
12 24	160	20000	2900	385	-	2630	15	24