

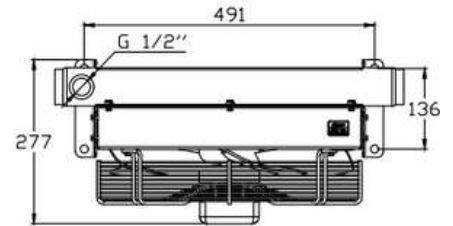
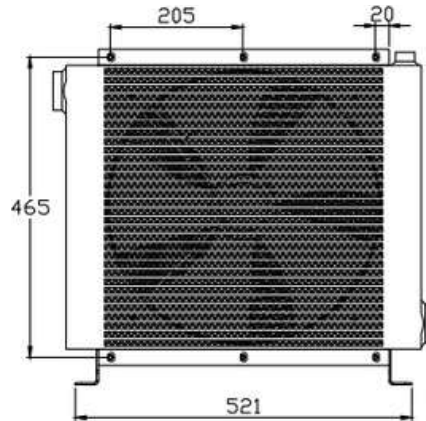
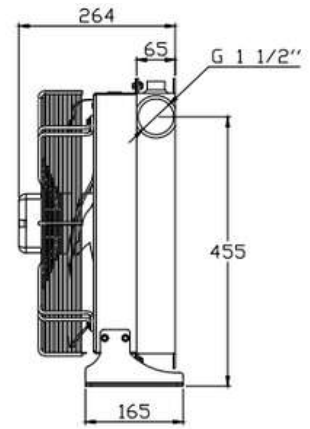
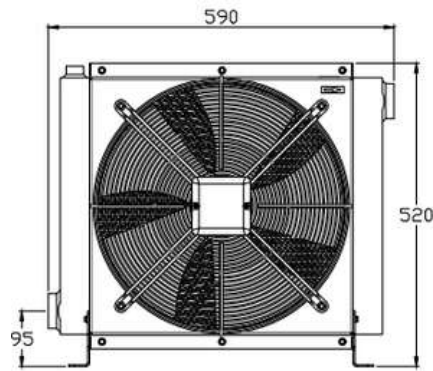
# SF 45

# AC

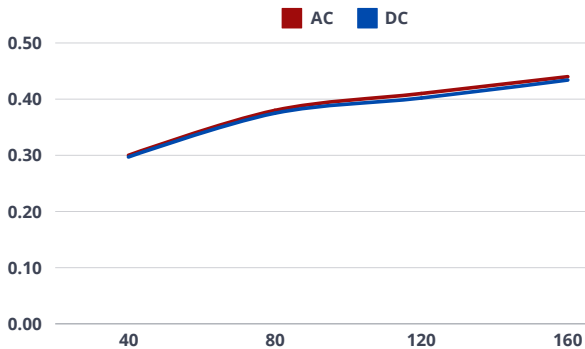
2  
0  
4  
0



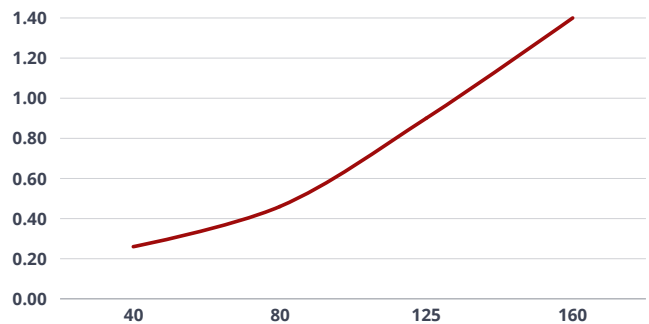
# ISF 45 - 2040 - AC



### 2040 PERFORMANCE DIAGRAM



### 2040 PRESSURE DROP



VOLTAGE	OIL FLOW MAX	MAX COOLING CAPACITY	REVOLUTIONS PER MINUTE	FAN Ø	NOISE LEVEL	AIR	WORKING PRESSURE	TEST PRESSURE
V	L/min	kcal/h	r/min	mm	dB	m³/h	bar	bar
220	160	20000	1413	400	68	3727	15	24
380			1407			3768		