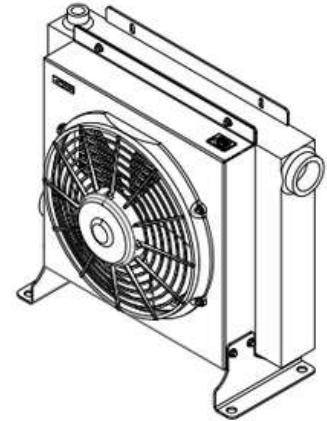
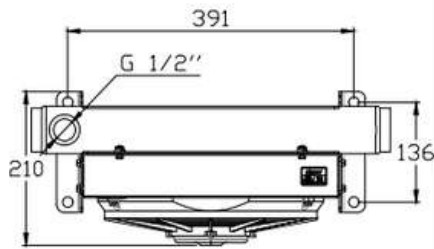
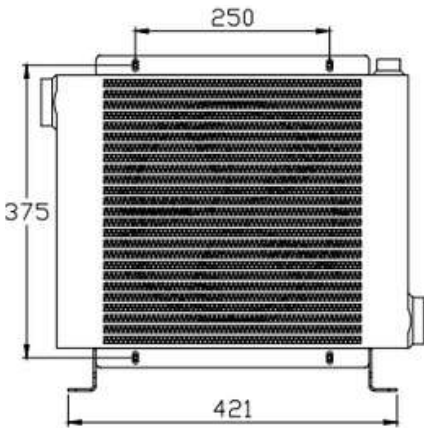
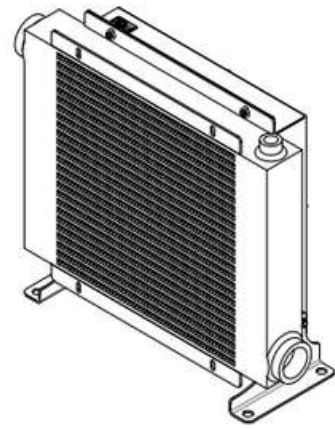
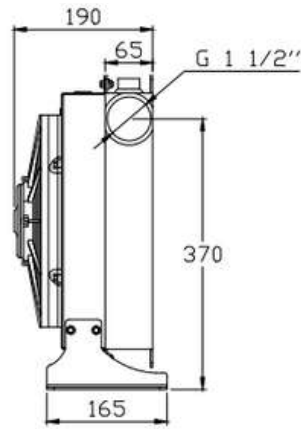
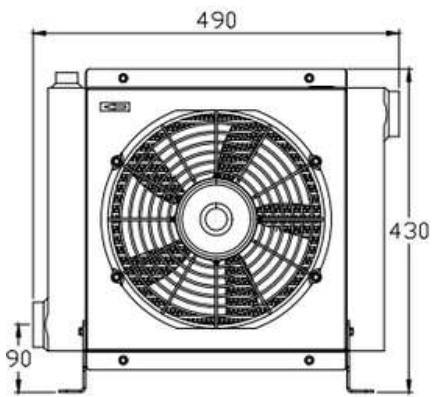


SF 35 DC

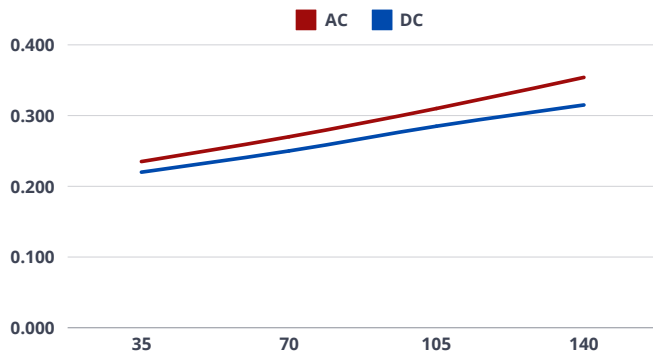
2030



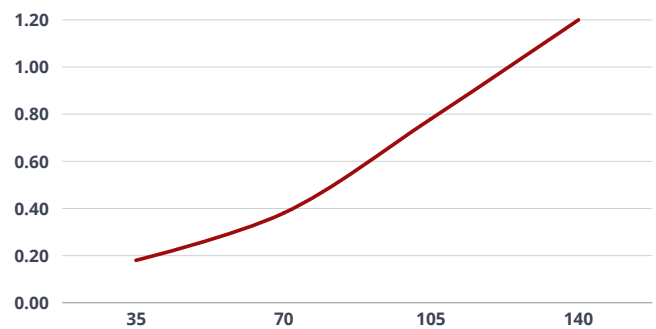
ISF 35 - 2030 - DC



**2030
PERFORMANCE DIAGRAM**



**2030
PRESSURE DROP**



VOLTAGE	OIL FLOW MAX	MAX COOLING CAPACITY	REVOLUTIONS PER MINUTE	FAN Ø	NOISE LEVEL	AIR	WORKING PRESSURE	TEST PRESSURE
V	L/min	kcal/h	r/min	mm	dB	m ³ /h	bar	bar
12 24	140	13000	2780	280	-	1560	15	24