

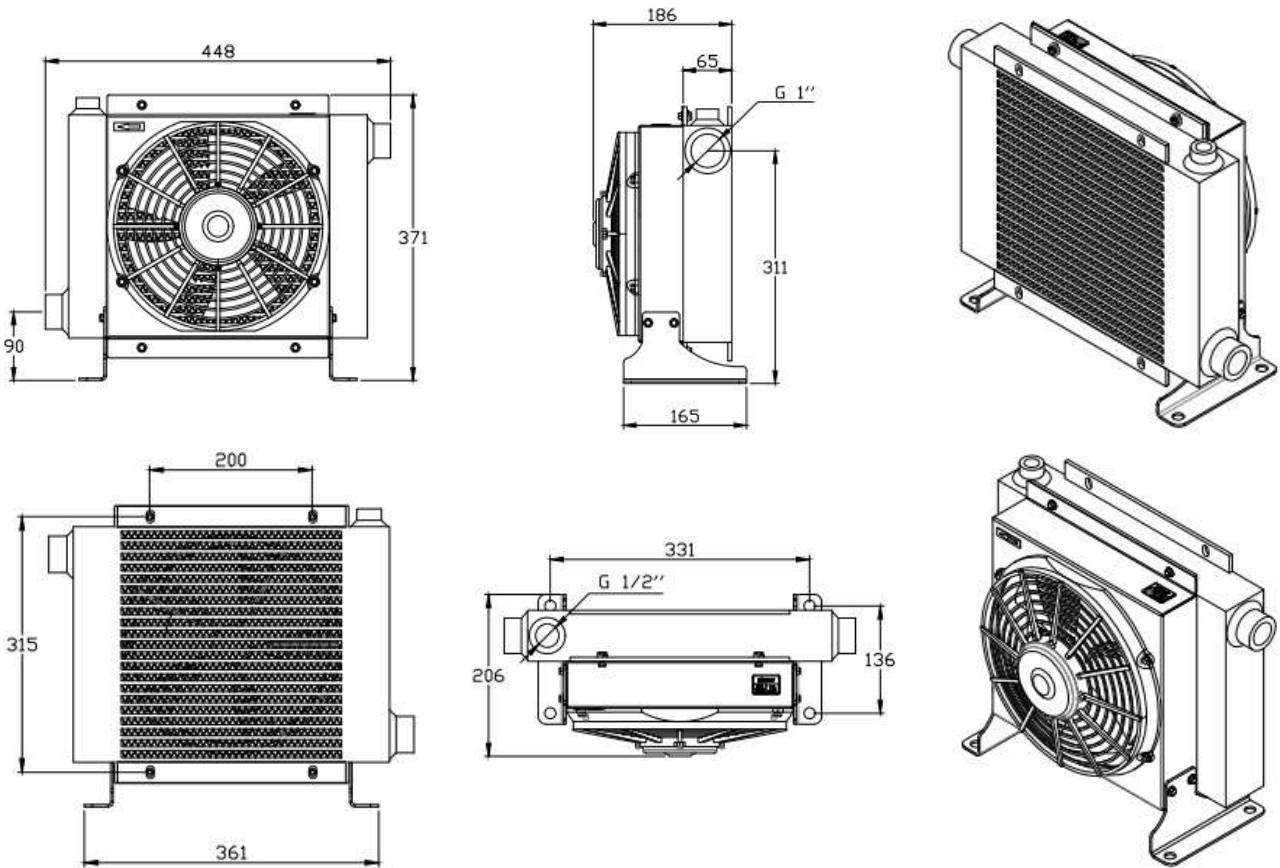
SF 29

DC

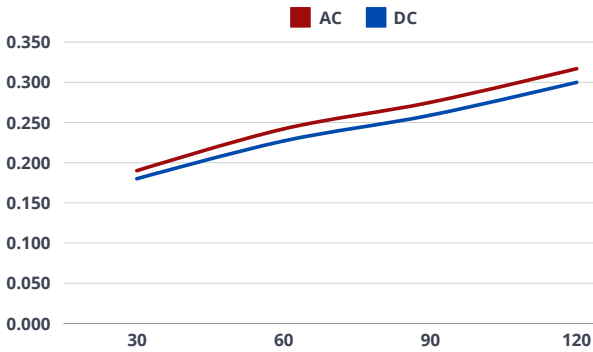
2
0
2
4



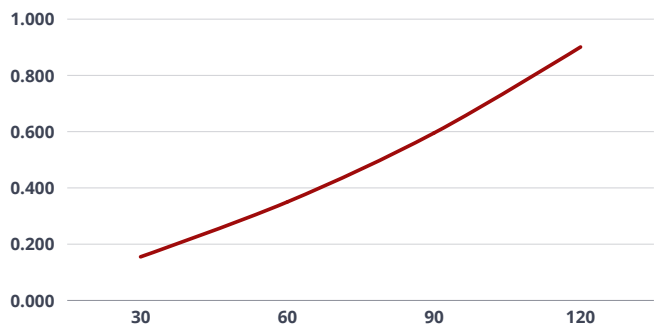
ISF 29 - 2024 - DC



2024 PERFORMANCE DIAGRAM



2024 PRESSURE DROP



VOLTAGE	OIL FLOW MAX	MAX COOLING CAPACITY	REVOLUTIONS PER MINUTE	FAN Ø	NOISE LEVEL	AIR	WORKING PRESSURE	TEST PRESSURE
V	L/min	kcal/h	r/min	mm	dB	m ³ /h	bar	bar
12 24	120	10000	3000	255	-	1240	15	24