

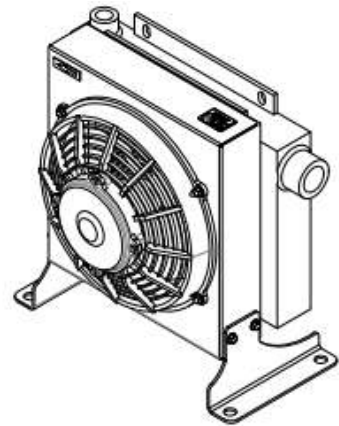
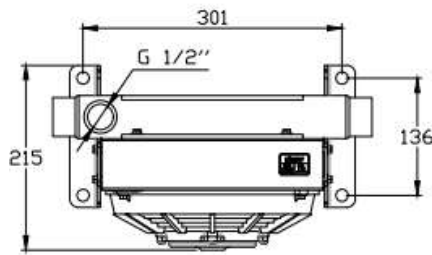
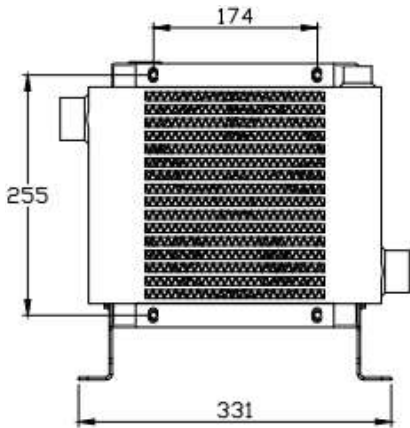
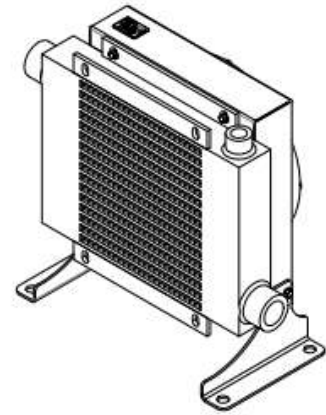
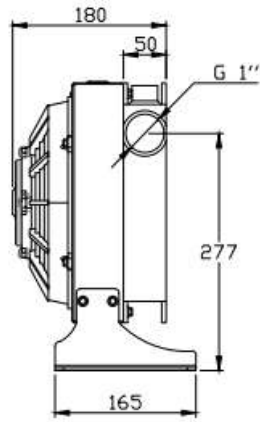
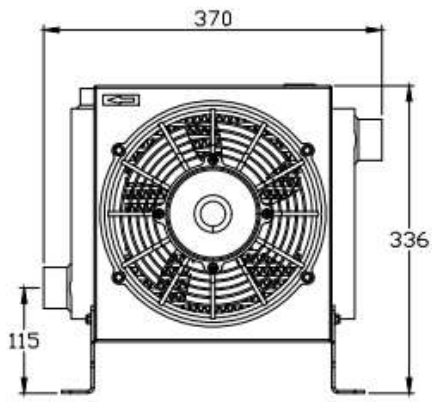
SF 21

DC

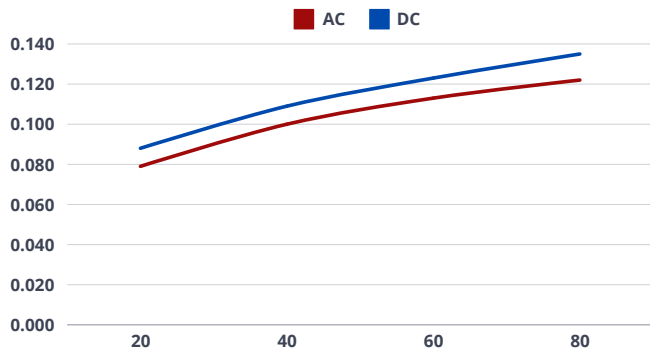
2015



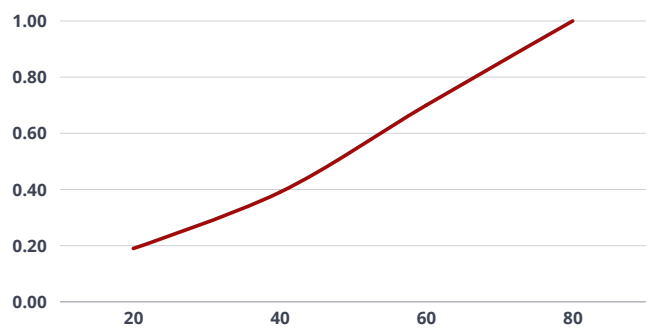
ISF 21 - 2015 - DC



2015 PERFORMANCE DIAGRAM



2015 PRESSURE DROP



VOLTAGE	OIL FLOW MAX	MAX COOLING CAPACITY	REVOLUTIONS PER MINUTE	FAN Ø	NOISE LEVEL	AIR	WORKING PRESSURE	TEST PRESSURE
V	L/min	kcal/h	r/min	mm	dB	m ³ /h	bar	bar
12 24	80	6000	3250	225	-	820	15	24