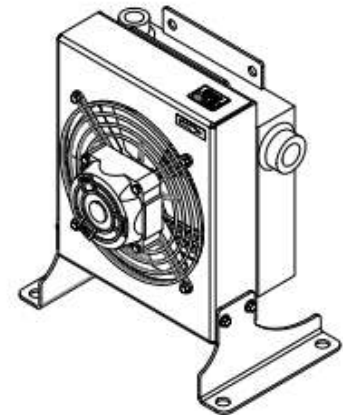
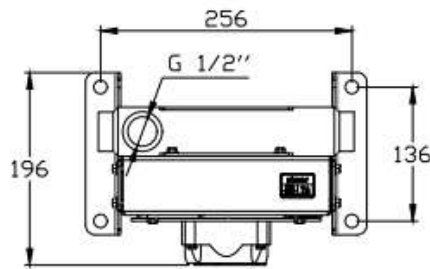
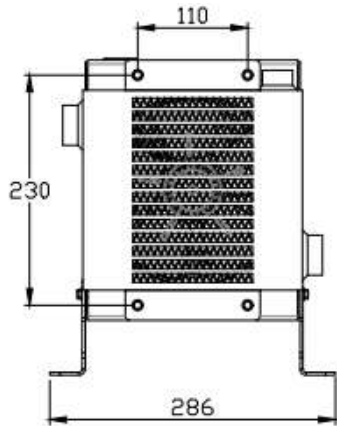
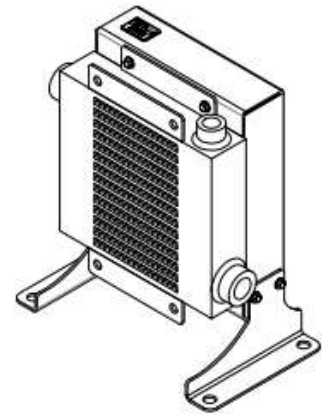
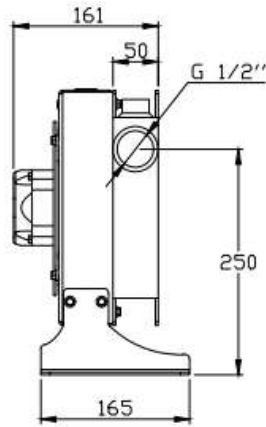
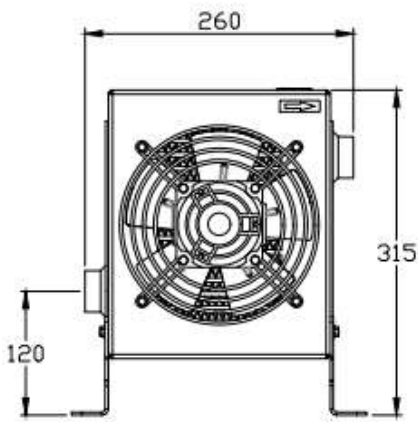


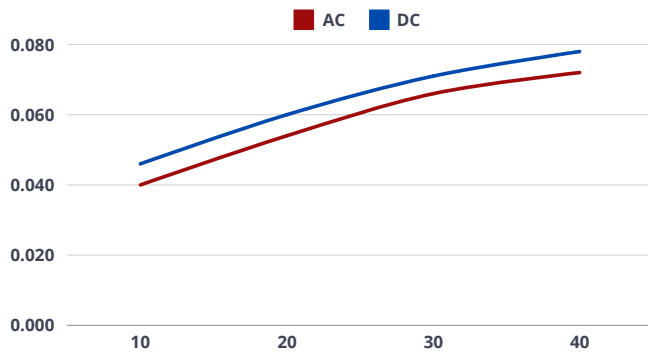
SF 14 AC 2010



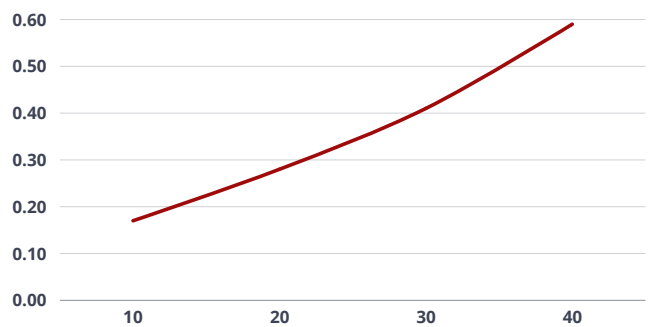
ISF 14 - 2010 - AC



**2010
PERFORMANCE DIAGRAM**



**2010
PRESSURE DROP**



| VOLTAGE | OIL FLOW MAX | MAX COOLING CAPACITY | REVOLUTIONS PER MINUTE | FAN Ø | NOISE LEVEL | AIR | WORKING PRESSURE | TEST PRESSURE |
|---------|--------------|----------------------|------------------------|-------|-------------|------|------------------|---------------|
| V | L/min | kcal/h | r/min | mm | dB | m³/h | bar | bar |
| 220 | 40 | 2500 | 1300 | 200 | - | 200 | 15 | 24 |